



# Holding Cabinet

## Model GHC

The Giles Holding Cabinet (GHC) is designed to keep cooked foods hot and flavorful until peak demand occurs for your foodservice operation.

Our unit is user friendly with an easy open door latch, casters for mobility and a basic computer temperature controller.

The GHC can accommodate up to 12 full size sheet pans or smaller with the use of the optional shelving.

Easy cleanup is a plus. Shelving can be removed in seconds for easy cleaning.



### Construction

Stainless Steel Exterior

### Standard Features

- 6 Shelves
- 2 Vertical racks
- Front locking casters
- Computer controls
- Plug and cord



**Giles Foodservice Equipment** A Division of Giles Enterprises, Inc.

P.O. Box 210247 • 2750 Gunter Park Drive West • Montgomery, AL 36121-0247 USA

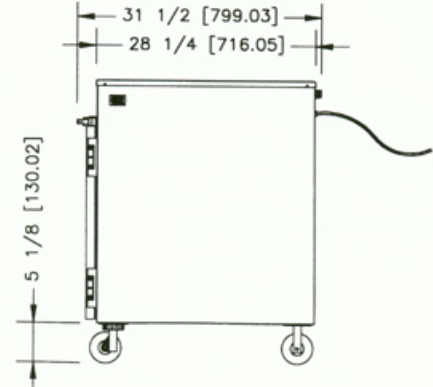
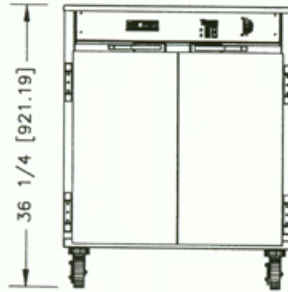
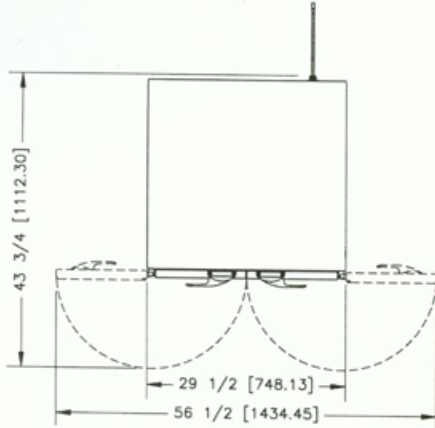
334.272.1457 • Fax 334.272.3561 • Phone Toll Free 1.800.554.4537

Web Site: [www.gilesent.com](http://www.gilesent.com) • Email: [info@gilesent.com](mailto:info@gilesent.com)

# Holding Cabinet

## Model GHC

Job \_\_\_\_\_ Item No. \_\_\_\_\_ AIA# \_\_\_\_\_



INCHES [MILLIMETERS]

### DIMENSIONS:

Width: 29 1/2" 749 mm.  
Depth: 31 1/2" 800 mm.  
Height: 36 1/4" 921 mm.

### WEIGHT:

Shipping Weight: 302lbs 137 kg.  
Shipping Size: 36"x36"x45" = 33.75 cu. ft.  
915mm x 915mm x 1143mm = 1 cu. meter

### ELECTRICAL SPECIFICATIONS:

1300 watts / 12 amps @ 120 VAC  
1 phase only

### OPTIONS:

Extra shelves

### LISTINGS

UL listed, CUL listed, UL Sanitation to NSF Standards.

## Bidding Specifications

1. Specify as GHC(P# 70467)
2. Specify quantity of extra shelves(P# 36279)
3. Specify shipping method
4. For export consult the factory

**GILES**  
FOODSERVICE EQUIPMENT

We reserve the right to change specifications and product design without notice. Such revisions do not entitle the buyer to corresponding changes, improvements, additions or replacements on previously purchased equipment.

P.O. Box 210247 • 2750 Gunter Park Drive West • Montgomery, AL 36121-0247 USA  
334.272.1457 • Fax 334.272.3561 • Phone Toll Free 1.800.554.4537  
Web Site: [www.gilesent.com](http://www.gilesent.com) • Email: [info@gilesent.com](mailto:info@gilesent.com)

Printed in U.S.A. 10/99 Form 60354